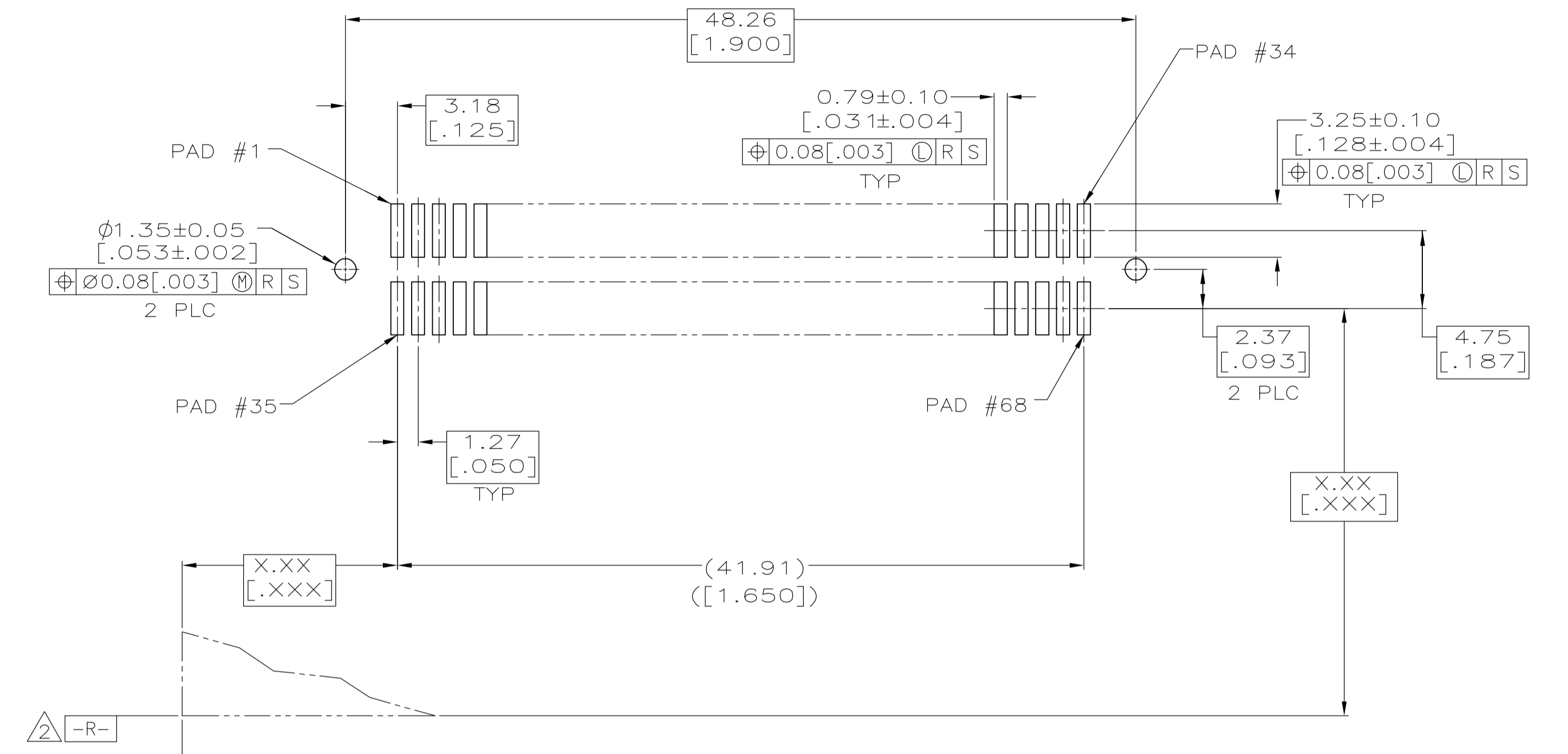
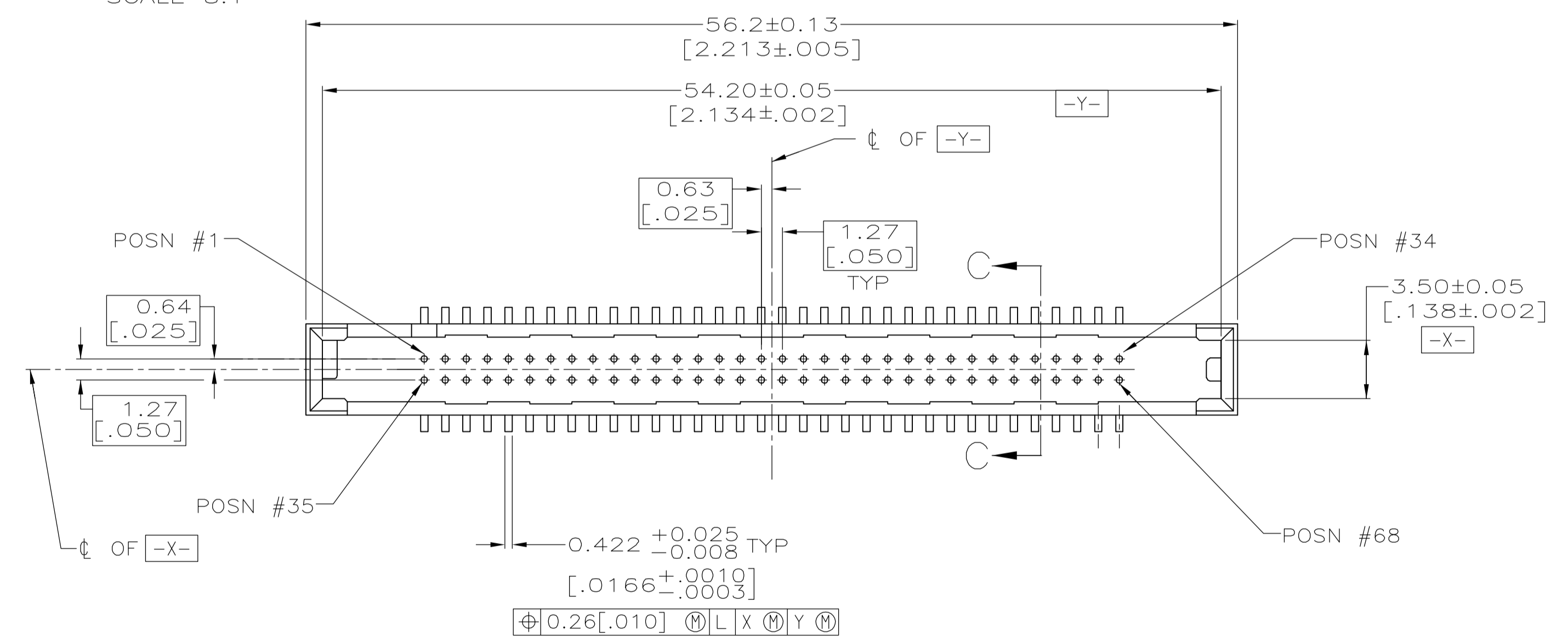
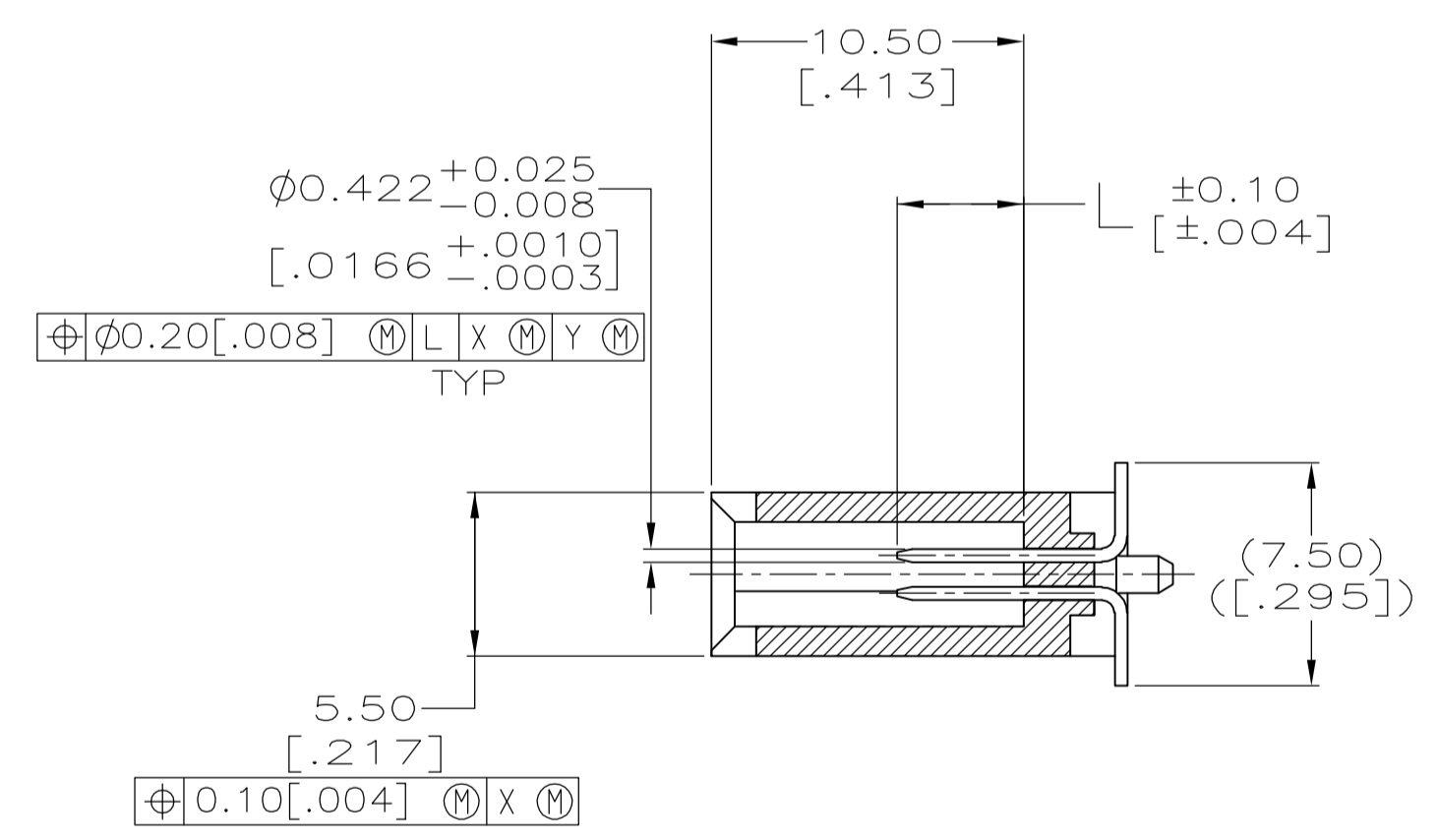


SCALE 8:1



RECOMMENDED BOARD LAYOUT



- 1 CONTACTS: 0.00076[.000030] MINIMUM GOLD IN CONTACT AREA, 0.00381[.000150] MIN TIN ON SOLDER TAILS, ALL OVER 0.00127[.000050] MINIMUM NICKEL
- 2 DATUMS AND BASIC DIMENSIONS ESTABLISHED BY CUSTOMER
- 3. PRODUCT PACKAGED IN TUBES.
- 4 MATERIAL:
HOUSING: LCP, COLOR BLACK
CONTACTS: BRASS

**COPYRIGHT 2005
 TYCO ELECTRONICS CORP
 ALL RIGHTS RESERVED**

AS SHOWN	1,17,34 35,51,68	ALL OTHER PINS	36,67	5146733-1
DESCRIPTION	5.0[.197]	4.25[.167]	3.5[.138]	PART NUMBER
" L " PIN LENGTH AND LOCATION				

THIS DRAWING IS A CONTROLLED DOCUMENT.		DWG A. FERNANDEZ-DOCK5 03-29-05	Tyco Electronics Corporation Harrisburg, PA 17105-3608	
DIMENSIONS: mm[inches]		CHK D.L. GORENC 03-29-05	NAME M. WALMSLEY	
TOLERANCES UNLESS OTHERWISE SPECIFIED:		APVD M. WALMSLEY	PRODUCT SPEC	
0 PLC ± -		APPLICATION SPEC		
1 PLC ± -		SIZE		
2 PLC ± 0.13[.005]		CAGE CODE		
3 PLC ± -		DRAWING NO		
4 PLC ± -		RESTRICTED TO		
ANGLES ± -		WEIGHT		
FINISH		A1 00779 C=5146733		
MATERIAL		CUSTOMER DRAWING		
SCALE 4:1		SHEET 1 OF 1		
REV 0				